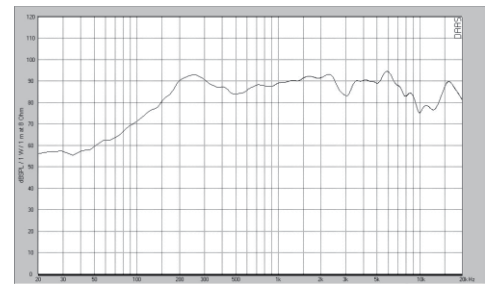
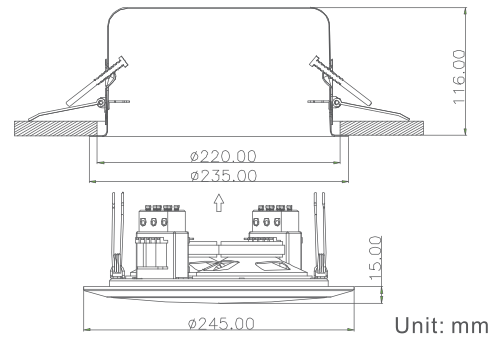


A/B 2-LINES CEILING SPEAKER WITH FIREDOME

(EN54-24 , BS5839 Part 8)



SPECIFICATIONS

Model No.	CSD-35FDBS
Rated Power (rms)	6W
Speaker	3"x5" Full Range, Dual Cone (A/B 2-LINES)
Power Rating(100V)	6W - 3W - 1.5W
Impedance	1667Ω - 3333Ω - 6667Ω
S.P.L.(at 1W/1M)	88dB
Maximum Acoustic Pressure	95dB
Frequency Response(-10dB)	150 Hz ~ 20K Hz
Dispersion 1KHz / 4KHz	120° / 100°
Ambient Temperature	-10°C ~ +55°C
Compliant Standard	EN54-24 , BS5839 Part 8
Patent No.	M319598 , Nr.20 2007 006 755 .0
Dimension	245mm(Dia.)×131mm(H)
Cut-Out Diameter	220mm(Dia.)
Material	Steel
Colour	White
Weight	2.05Kg
Power Selection Method	Plug , Ceramic Terminal Block